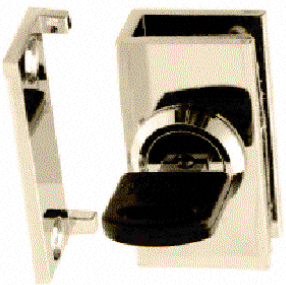
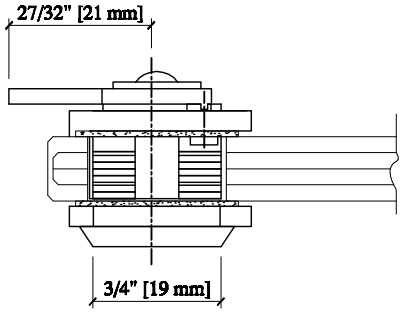
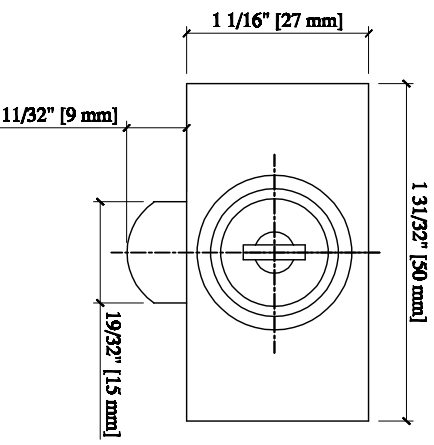


THE ABOVE CUTOUT TEMPLATE LEAVES THE EDGE OF THE GLASS PROTRUDING 3/32" (2mm) TO 1/8" (3mm) BEYOND THE EDGE OF THE LOCK. THIS TEMPLATE IS USED FOR TIGHT TOLERANCE FITS WHERE THE GLASS OVERLAPS THE STOP.

THE ABOVE CUTOUT TEMPLATE LEAVES THE EDGE OF THE GLASS APPROXIMATELY 1/8" (3mm) FROM THE EDGE OF THE LOCK. THIS TEMPLATE CAN BE USED WHERE TIGHT TOLERANCES ARE NOT NECESSARY.



|                |                              |
|----------------|------------------------------|
| CATALOG NUMBER | FINISH                       |
| EH96           | BRASS CAM LOCK               |
| EH96KA         | BRASS KEYPED ALIKE CAM LOCK  |
| EH98           | CHROME CAM LOCK              |
| EH98KA         | CHROME KEYPED ALIKE CAM LOCK |

ALWAYS USE DIMENSIONS SHOWN ON THE PLAN. DO NOT SCALE OR DIMENSION ACTUAL DRAWING TO ENSURE ACCURACY

**CRL** ARCHITECTURAL PRODUCTS  
 PHONE: 800-421-6144 FAX: 800-262-3299  
 WWW.CRLAURANCE.COM

DESCRIPTION: **CRL CAM LOCK WITH STOP PLATE**  
 FOR 1/4" (6 mm) OR 3/8" (10mm) GLASS

|                    |                  |
|--------------------|------------------|
| CAT. NO. SEE CHART | DATE: 11/31/08   |
| FILE NAME: EH96    | SCALE: N.T.S.    |
| DRAWN BY: g.v.     | CHECKED BY: C.H. |
|                    | SHEET 1 OF 1     |